

Technical data sheet



Product features

Food display island chilled GN 4-1/1 Hemlock

| | | |
|--------------|-----------------|----------|
| Model | SAP Code | 00012100 |
|--------------|-----------------|----------|



- Buffet type: BLUE - cooled, dynamic cooling
- Device properties: Chilled
- Number of GN / EN: 4
- GN / EN size in device: GN 1/1
- GN device depth: 150
- Minimum device temperature [°C]: 4
- Maximum device temperature [°C]: 8

| | | | |
|----------------------------|----------|--|--------------------|
| SAP Code | 00012100 | Loading | 230 V / 1N - 50 Hz |
| Net Width [mm] | 1494 | Number of GN / EN | 4 |
| Net Depth [mm] | 760 | GN / EN size in device | GN 1/1 |
| Net Height [mm] | 1288 | GN device depth | 150 |
| Net Weight [kg] | 157.70 | Minimum device temperature [°C] | 4 |
| Power electric [kW] | 0.494 | Maximum device temperature [°C] | 8 |

Technical data sheet



Technical drawing

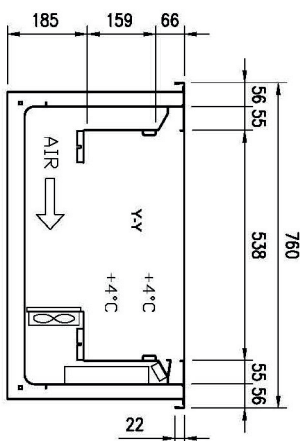
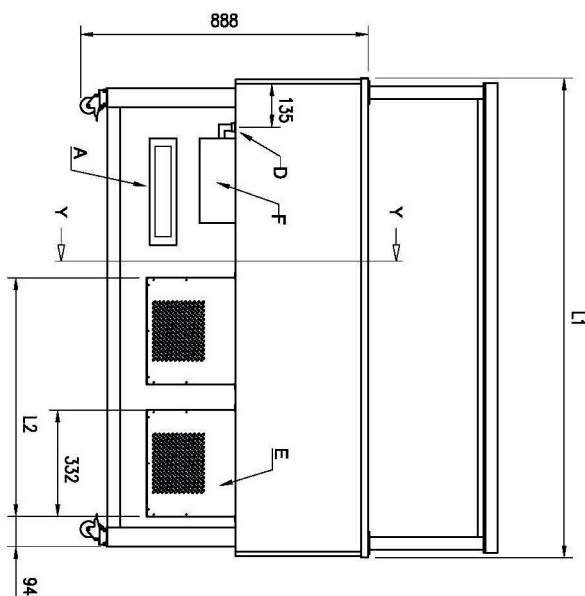
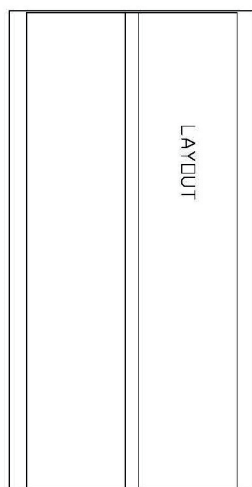
Food display island chilled GN 4-1/1 Hemlock

Model

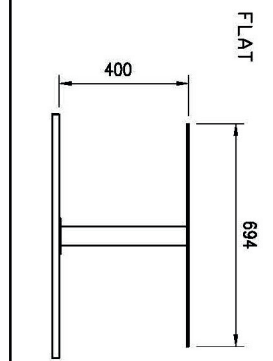
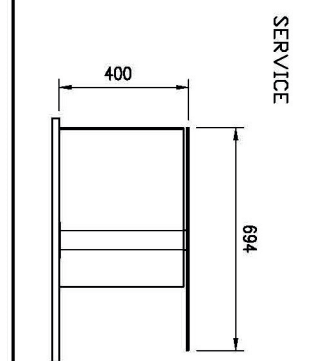
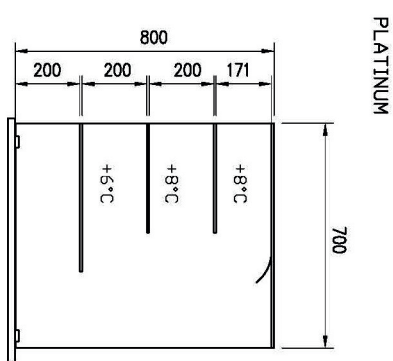
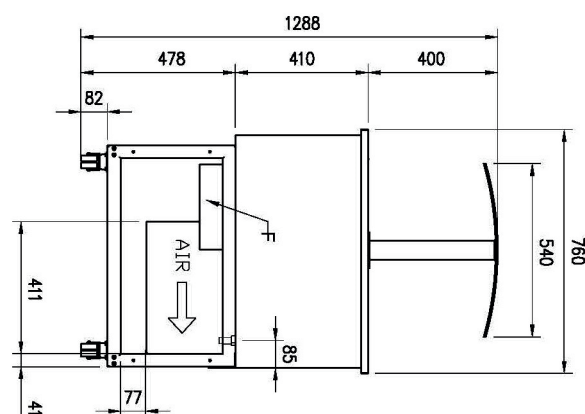
SAP Code

00012100

A= ELECTRICAL CONNECTION
 D= WATER DISCHARGE ø16
 E= GAS CONNECTION ø8 ø10
 F= WATER BOX



| GN | L1 | L2 |
|-----|------|------|
| 4/1 | 1494 | 744 |
| 6/1 | 2144 | 1069 |



Food display island chilled GN 4-1/1 Hemlock

Model

SAP Code

00012100

1

Dynamic cooling

constant temperature in all places of the refrigerated space

- greater hygienic safety of chilled food

2

All-stainless steel construction

harmless to health for contact with food
robustness

- perfect sanitation
- long service life

3

Rounded corners

basins without sharp edges and corners

- higher hygienic safety
- time saving due to easy cleaning

4

GN insertion up to 150mm

variability of use

- possibility of cooling different types of food and larger volumes
- saving time, space, costs

5

LED lighting

variability of use

- economical lighting
- attractive appearance

6

Travel wheels

portable buffet table

- greater flexibility in dispensing
- possibility of use at banquets
- easier and safer handling

7

Breathing galley with trigger

galerka made of hygienic Plexiglas with motorized displacement

- hygienic food protection
- the possibility of sealing before dispensing - extending the shelf life of food

Technical data sheet



Technical parameters

Food display island chilled GN 4-1/1 Hemlock

| | | |
|--------------|-----------------|----------|
| Model | SAP Code | 00012100 |
|--------------|-----------------|----------|

1. SAP Code:

00012100

2. Net Width [mm]:

1494

3. Net Depth [mm]:

760

4. Net Height [mm]:

1288

5. Net Weight [kg]:

157.70

6. Gross Width [mm]:

1558

7. Gross depth [mm]:

1012

8. Gross Height [mm]:

1100

9. Gross Weight [kg]:

163.00

10. Device type:

Electric unit

11. Buffet type:

BLUE - cooled, dynamic cooling

12. Device properties:

Chilled

13. Exterior color of the device:

Hemlock

14. Power electric [kW]:

0.494

15. Loading:

230 V / 1N - 50 Hz

16. Number of GN / EN:

4

17. GN / EN size in device:

GN 1/1

18. GN device depth:

150

19. Minimum device temperature [°C]:

4

20. Maximum device temperature [°C]:

8

21. Interior lighting:

No